

Olympia

SM 4

Will provide useful information to both old and new users, for in every model of the OLYMPIA progressive innovations are incorporated. The use of an OLYMPIA is the easiest thing imaginable, but it is even easier if you know your machine properly. It is in your own interest to read carefully before operating your OLYMPIA.

**OLYMPIA WERKE AG.
WILHELMSHAVEN**

Operating Instructions

First of all

Lay back the cover off the case and remove by lifting it out of the hinges. Remove all cardboard packing. Take rubber band off the right hand platen knob (3) and front cover (29).

Taking out and making ready

Press down the clips on the baseboard, lift the machine and draw it out from the rear baseboard fastening.

Remove the security tapes from the left and right of the carriage. Remove the rubber rings.



Press down the shift key (22) thus raising the carriage, and remove the pieces of rubber placed left and right under the carriage.



Lift up the front cover (29) and remove the cardboard which protects the typebars.

Reducing noise

The machine, which in itself makes little noise should be placed on a soft pad of felt or similar material. Only when in a hurry - perhaps while travelling - should the machine be used standing on the baseboard.

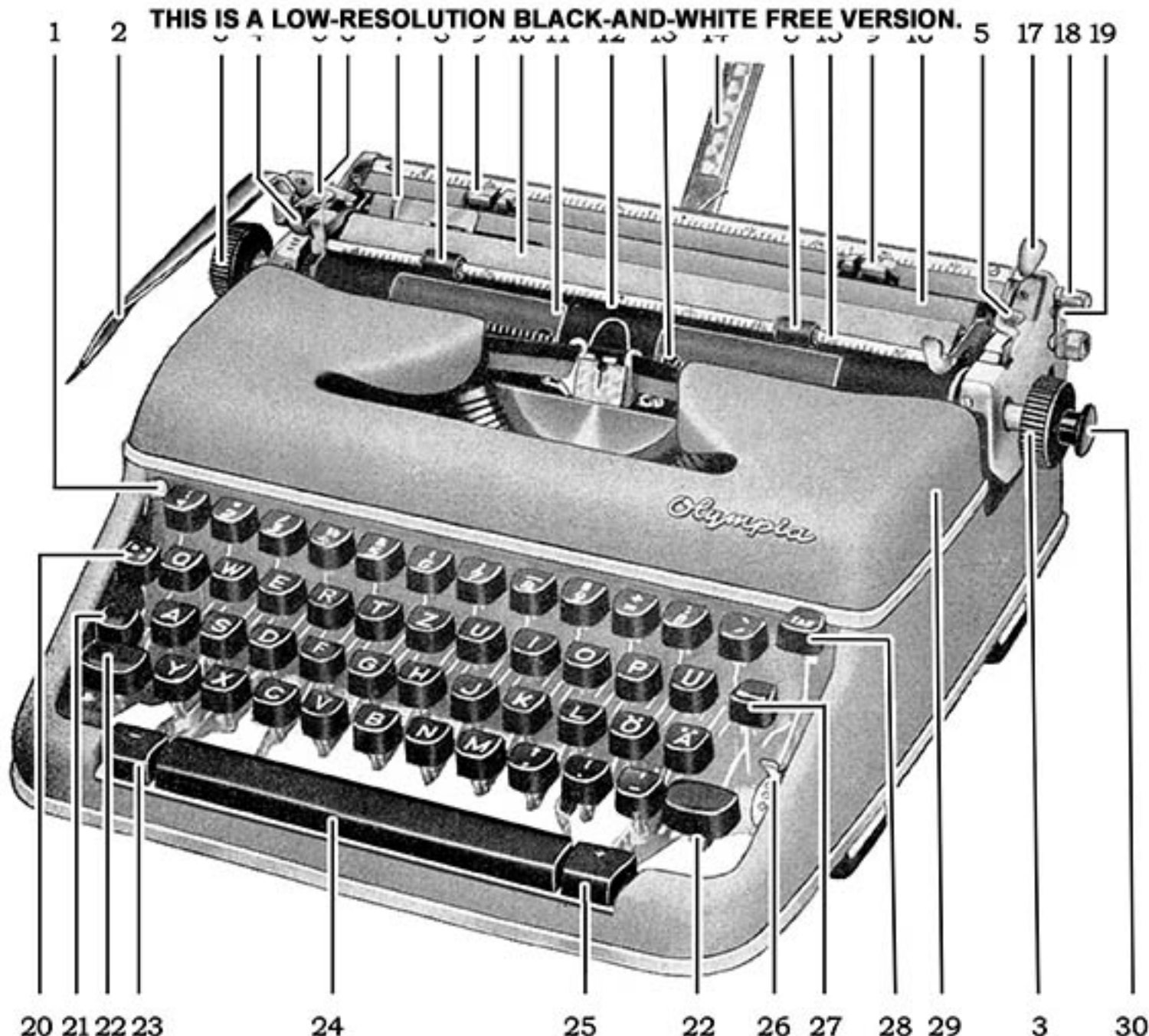
Is this all known already?

Ribbon Control

With a two-colour ribbon set the ribbon switch (26) in the upper position for black, or the lower for red. The centre position (white) is for use when cutting duplicating stencils. When the upper half of single colour ribbon is worn-out invert for use of the lower part. Ribbon advance and return are automatic.



THIS IS A LOW-RESOLUTION BLACK-AND-WHITE FREE VERSION.



- 1 Lock for carriage and keyboard
- 2 Line space lever
- 3 Platen knob
- 4 Line space indicator
- 5 Carriage release
- 6 Platen release
- 7 Paper guide
- 8 Paper scale roller
- 9 Margin stops
- 10 Paper conductor
- 11 Perspex alignment guide
- 12 Card holder
- 13 Line drawing notches
- 14 Paper support
- 15 Paper holder

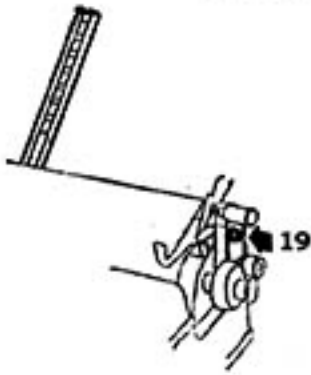
- 16 Paper table
- 17 Paper feed release
- 18 Tabulator complete clearance
- 19 Paper support release
- 20 Margin release
- 21 Shift lock
- 22 Shift key
- 23 Tabulator individual clearance
- 24 Space bar
- 25 Tabulator set
- 26 Ribbon and stencil switch
- 27 Back space key
- 28 Tabulator key
- 29 Front cover
- 30 Rear cover

ORDER PREMIUM HIGH-RESOLUTION COLOR OPERATING INSTRUCTIONS:

CLASSICVINTAGETYPEWRITERS.COM

THIS IS A LOW-RESOLUTION BLACK-AND-WHITE FREE VERSION.

Inserting the paper



Place the carriage in centre position. Raise the paper support by pressing the release button (19). Lay the paper on the lateral paper guide (7) insert the paper between the paper table (16) and the platen and adjust it to the required height by turning the platen knobs (3). To adjust the paper or to insert several sheets pull the paper feed release lever (17) forward. The paper support is returned after use by pressing firmly to the right.

Margin Control

The beginning and end of the lines may be set to the required positions by adjusting two margin stops (9). The margin stops are squeezed while being moved.

Line spacing



The line space indicator (4) may be set to give single, one-and-half, and double line spacing. Slight pressure on the line space lever (2) pushes the carriage along to the right and brings the paper into position for the next line.

Raising the carriage

To type capital letters, punctuation marks etc. press down one of the two shift keys (22). Pressure on the shift lock (21) locks the carriage in the raised position. To lower the carriage again, press the left hand shift key.

Spacing

On depressing and releasing the space bar (24) carriage moves one space to the left.

Margin release



The ringing of the bell indicates that there are eight more space available before the end of the line; on reaching the end of the line the carriage will stop. Pressure on the margin release (20) however, releases the mechanism. Similarly pressure on the margin release enables typing to commence to the left of the limits set by the left hand margining stop.

ORDER PREMIUM HIGH-RESOLUTION COLOR OPERATING INSTRUCTIONS:

CLASSICVINTAGETYPEWRITERS.COM

Back Space Key

Depressing the back space key (27) moves the carriage back one space i.e. width of one letter.

Carriage Release

Grip the right hand platen knob (3) with your right hand, and depress the carriage release lever (5) with the thumb. This allows the carriage to be moved freely in both directions, and either hand may be used.

Protection against damage

When carrying the machine, or to prevent unauthorized or rough handling, lock the carriage and the keys by lifting up the locking lever (1) and sliding the carriage to its central position. To release the carriage and the keys push lever down.

The machine should be replaced in the case before carrying it any distance. Set the machine on the prongs at the rear of the baseboard, then press into the spring clips at the sides. Insert the case cover into the rear hinges of the baseboard, close and lock.



Tabulation

The tabulator saves much time in the preparation of lists and statements, also for indenting paragraphs and inserting references in everyday correspondence.

Before using the tabulator, depress the clearance lever (18) to erase all previous settings. Move the carriage to the beginning of a column and depress the tabulator set key (25). Return the carriage to the starting position, and tabulate by holding down the tabulator key (28) until the carriage stops at the column required. To clear individual stops, tabulate to the column concerned and depress the individual clearance key (23).



All stops can be cleared in one operation by depressing the complete clearance lever (18).

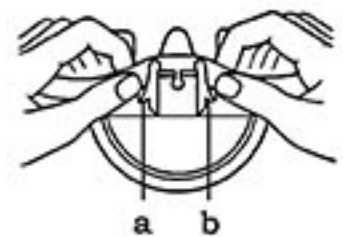
ORDER PREMIUM HIGH-RESOLUTION COLOR OPERATING INSTRUCTIONS:

CLASSICVINTAGETYPEWRITERS.COM

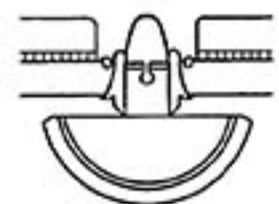
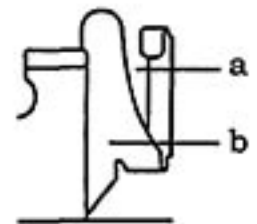
This, too, is necessary

Changing the ribbon

Lift up the front cover (29) of the machine, exposing the ribbon mechanism. Wind the worn ribbon on to one of the two spools (h). Pull out the spool catch (g) and removing the empty spool, free the end of the ribbon from the hook, and draw out of the ribbon guide (b). The spool carrying the old ribbon is now replaced by the new spool and ribbon. Put the free end of the ribbon on the projecting hook on the empty spool, and press the hook into the spindle.



Now replace the empty spool back on the machine taking care that both spools are firmly held by the conveyor pin (e). Thread the ribbon through the ribbon reverse levers (c) on both sides. Now press down the shift lock, and take hold of the ribbon with both hands. Put the ribbon behind guide (b) and insert it into the left and right slits of the guide (a) so that its full width lies in the slits. When correctly fitted the position of the ribbon will correspond to that shown in the diagram.



- | | |
|-------------------------|-----------------|
| a) Ribbon holder | e) Conveyor pin |
| b) Ribbon guide | f) Spool shaft |
| c) Ribbon reverse lever | g) Spool catch |
| d) Guide hole | h) Ribbon spool |

Margin alignment

In order to preserve the good appearance of documents and circulars, it is sometimes required that the right hand margin should be as straight as the left. A rough draft of such work should first be typed so as to calculate the number of letters that require levelling on each line. The shortest line of the draft is taken as the standard and a vertical line is drawn at the end of this as shown in the example.

The correcting space bar will give your letter a perfectly aligned right margin

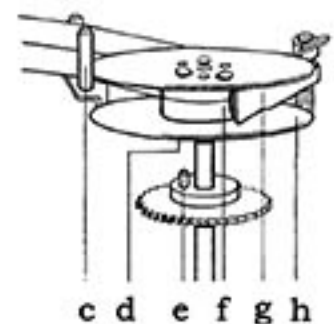
without margin alignment

The correcting space bar will give your letter a perfectly aligned right margin

with margin alignment

ORDER PREMIUM HIGH-RESOLUTION COLOR OPERATING INSTRUCTIONS:

CLASSICVINTAGETYPEWRITERS.COM



THIS IS A LOW-RESOLUTION BLACK-AND-WHITE FREE VERSION.

Instead of making the shortest line the standard, another line of average length may be selected and the vertical line drawn from there. In this case any letters outside the line must be compressed within it, whilst lines which are shorter must be extended. The letters on the other lines which are outside this limit must be inserted within it by means of the correcting space bar when the fair copy is typed.

The second method described has the advantage that up to 8 letters per line may be compensated. Insertions for the number of letters which come outside the line, and extensions for the number of letters which fall short of it may thus be anticipated and spread over the whole line.

Insertions are made by writing the word which is to be compressed in the following manner: depress space bar, type the first letter and then release the spacebar – depress space bar – type – release space bar etc.

To lengthen lines proceed as follows: after typing last letter of a word depress space bar, release it and press again, type the first letter of the next word and release the space bar – depress space bar – type a letter etc. After typing the last letter release space bar and tap it two more times. Then continue writing next word.

CAREFUL MAINTENANCE GUARANTEES DURABILITY

Cleaning

If machine is in constant use it should be cleaned every morning. Lift front cover (29) and dust with a clean brush, cleaning the type with a special wire brush and, if necessary, a little petrol. A sheet of paper should be placed under the type levers while cleaning. Platen may be cleaned with methylated spirit but never with petrol.

Oiling

Moving parts, and those subject to friction require oiling occasionally. A thin acid-free office machine oil should be used taking care to remove all old oil before applying new. Never oil the segment, the line space wheel or the type guide.

Repairs

Damaged machines should be immediately handed over to an expert typewriter mechanic. Repairs and adjustment call for special attention which he alone can give.

MODIFICATIONS AND IMPROVEMENTS IN DESIGN, COLOUR, ETC MAY BE MADE FROM TIME TO TIME AT THE DISCRETION OF THE MANUFACTURER

ORDER PREMIUM HIGH-RESOLUTION COLOR OPERATING INSTRUCTIONS: